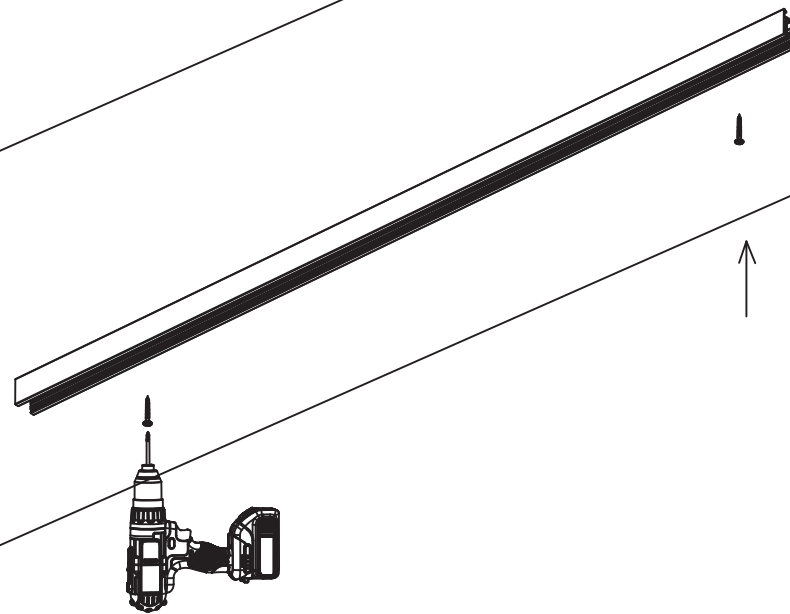
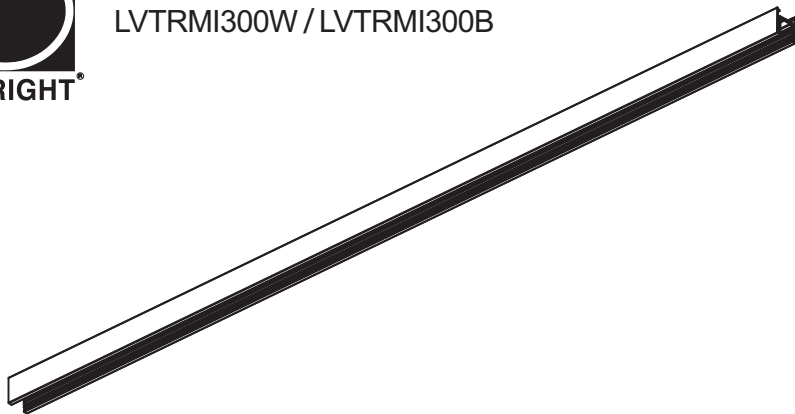
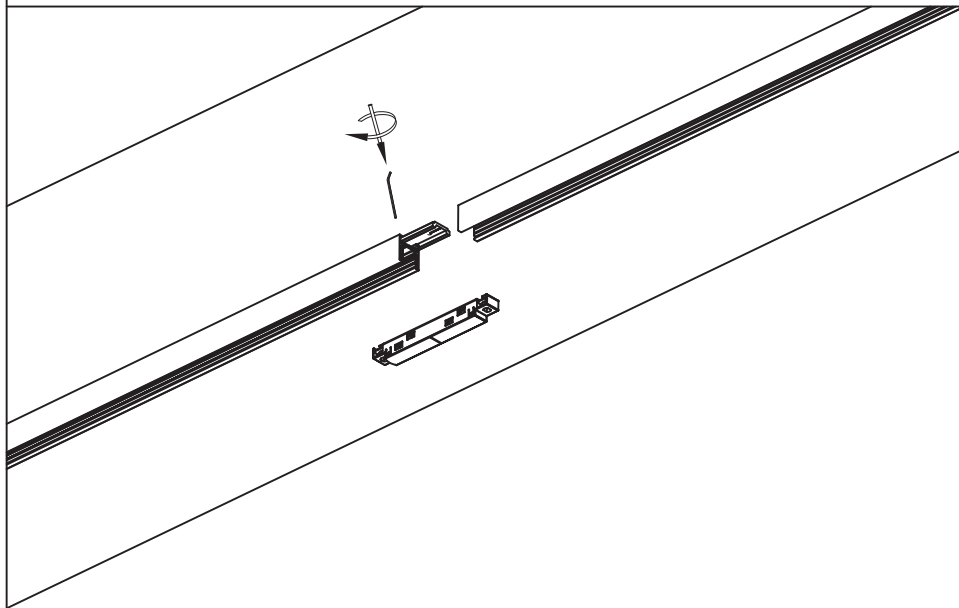




LVTRMI100W / LVTRMI100B
LVTRMI200W / LVTRMI200B
LVTRMI300W / LVTRMI300B

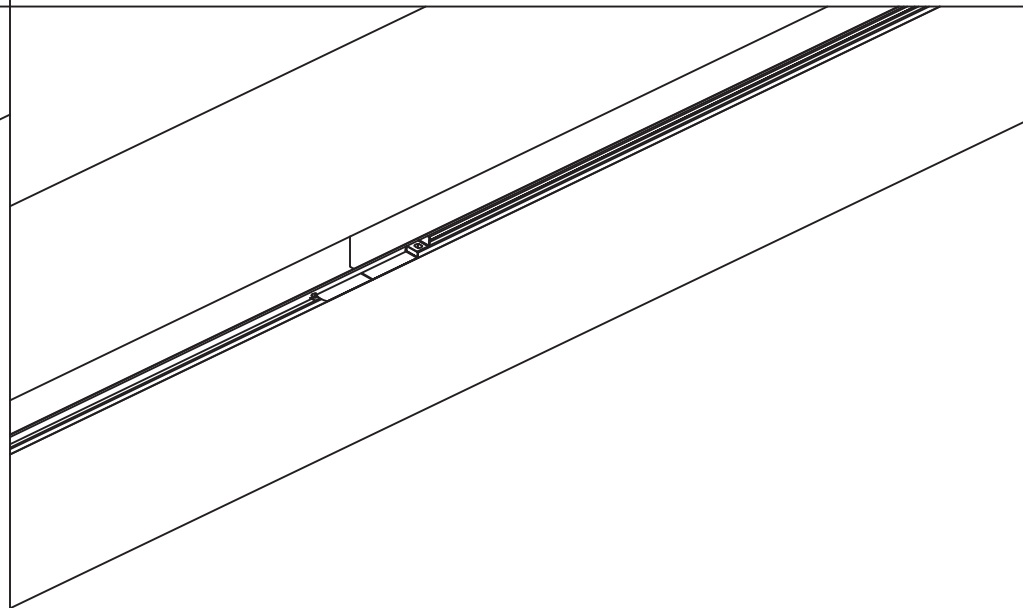


1



2

UNI-BRIGHT nv
Belcrownlaan 13-Q · 2100 Antwerpen Belgium · T+32(0)3 6416140 · F +32(0)3 6451831 · www.unibright.be



3

CE RoHS F ErP